

WESTGATE

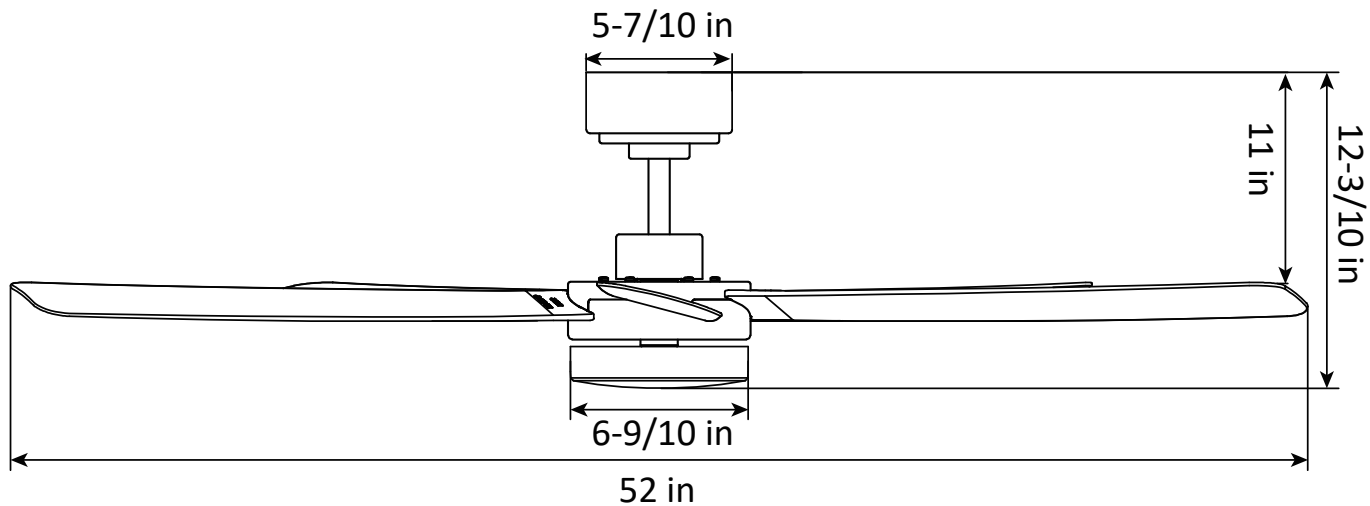
THE FUTURE IS HERE... AND IT'S QUITE BRIGHT!

PRODUCT NAME: WFL-DC-121-RC-5B-52-MCT5-BK-BK








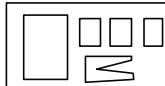
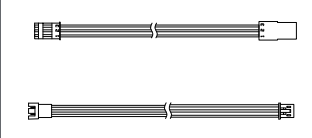
Please consult your electrician for hanging fixture and wiring.




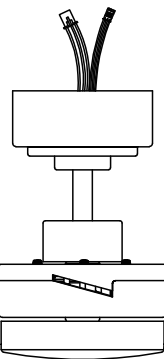


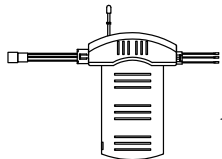
Dimension Reference:



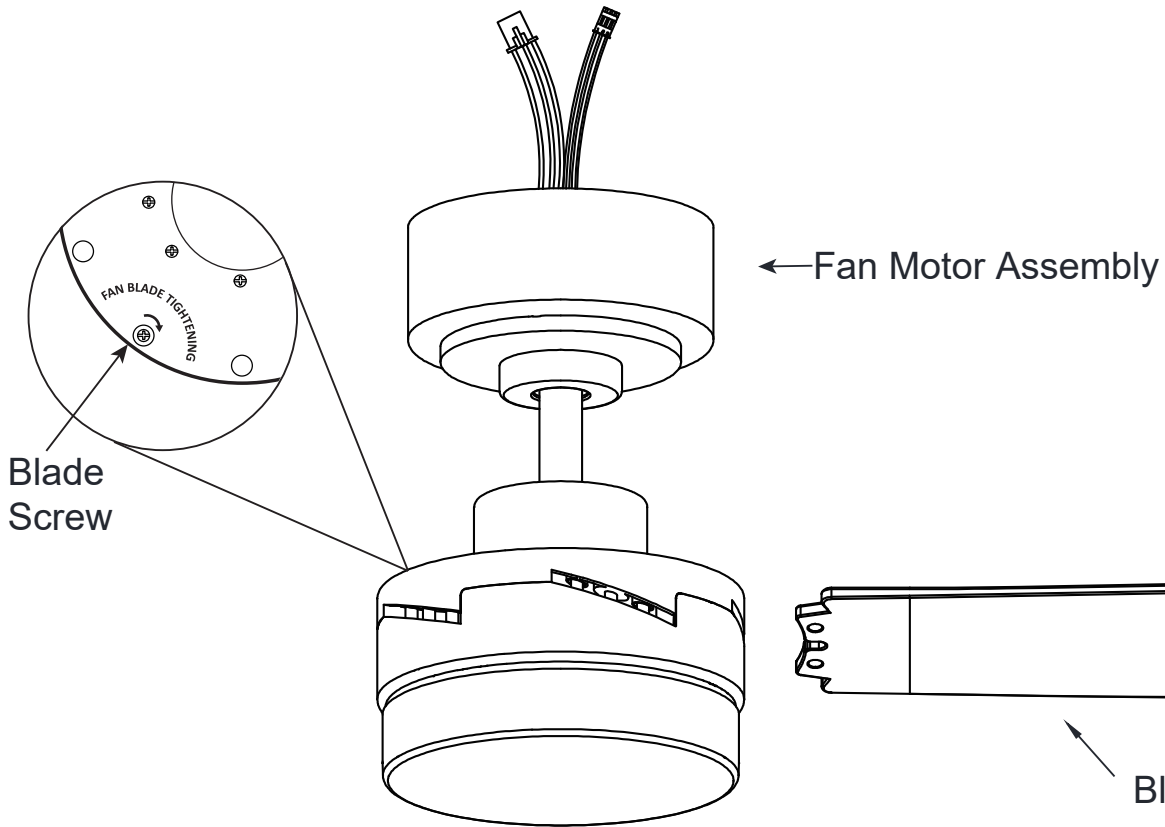
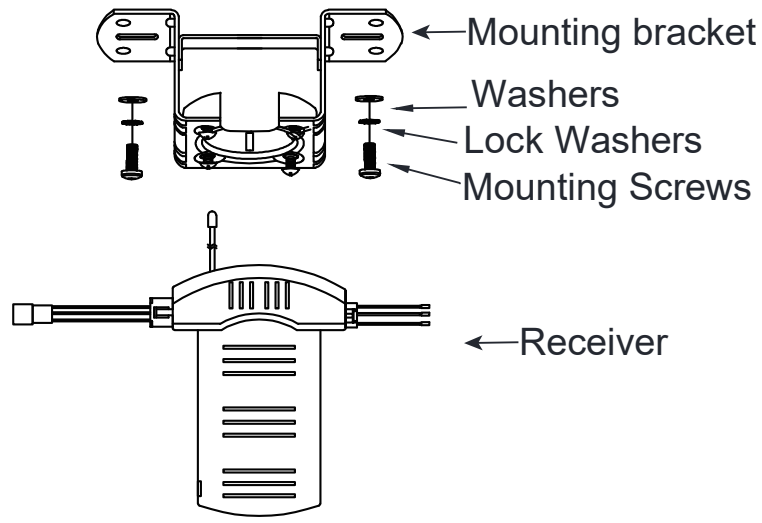
Hardware Package Included:

		Hardware Package	Quantity
	S1	S1. Machine screws	2
	S2	S2. Machine screws	2
	S3	S3. Wood Screws	2
	S4	S4. Washers	2
	S5	S5. Lock Washers	2
	S6	S6. Star Washers	2
	S7	S7. Wire Nuts	3
	S8	S8. Balance Kit	1
	S9	S9. Extension cord bag	1

Fan Parts Included:

		Quantity
	← 1	1. Mounting bracket 1
	← 2	2. Fan Motor Assembly 1
	← 3	3. Blade 5
	← 4	4. Remote Control 1
	← 5	5. Receiver 1

Exploded View:



Safety Instructions:

READ ALL SAFETY INFORMATION AND INSTALLATION INSTRUCTIONS BEFORE YOU BEGIN INSTALLING THE FAN. IF YOU ARE NOT FAMILIAR WITH NATIONAL AND LOCAL ELECTRICAL CODES AND BASIC ELECTRICAL WIRING PROCEDURES WE RECOMMEND THAT YOU HAVE A QUALIFIED ELECTRICIAN INSTALL YOUR NEW CEILING FAN. SAVE INSTRUCTIONS.

- To avoid the risk of electrical shock be sure to shut off power at the main fuse or circuit breaker box before installing or servicing this fixture.
- Make sure that all wiring conforms to national and local electrical codes. If you are in question obtain a copy of the codes and wire the fan accordingly. Never leave bare wire uncovered, use wire nuts to cap all connections. Plastic electrical tape is not recommended.
- Basic requirements for a ceiling fan installed with lights are 120V AC-60Hz on a grounded circuit with a 15 amp breaker or fuse. Make sure that your electrical system and choice of location meet these requirements.
- If the location where you plan to install your fan does not already have an electrical outlet, hire a licensed electrician to run the wiring and install an outlet box designed for ceiling fans or heavy fixtures. The outlet box should be able to support a minimum moving weight of 50 pounds and marked "Acceptable for Fan Support" (*Plastic outlet boxes are not recommended for ceiling fan installation*).
- If you plan to use an existing electrical location check to make sure that the outlet box is not PLASTIC, that it is securely attached and able to support at least 50 pounds of moving weight marked "Acceptable for Fan Support". If you have any questions, outlet boxes and support systems for ceiling fans are available at most hardware and do-it-yourself centers. In most cases your dealer will have all the necessary products for the proper and safe installation of your ceiling fan.
- The location you choose should have a minimum clearance of 20 inches from any wall to the blade tip at any point in its rotation and a minimum of 7 feet from blade level to floor and 10 inches from the blades to the ceiling.
- This ceiling fan was not designed for installation in any location where it might be exposed to moisture or high humidity. Installation in this type of location could be UNSAFE, will most likely damage the fan and its finish...and will VOID YOUR WARRANTY.
- Every effort has been made to provide you with proper instructions for the safe installation of this ceiling fan. You could however, encounter situations or problems not covered in this manual. Should this occur, please refer to a do-it-yourself wiring handbook or hire a qualified electrician to install your fan.
- Lubrication of your new ceiling fan is not necessary. The ball bearings have been adequately charged with grease and permanently sealed at the factory so that, under normal conditions, further attention is not necessary.
- NOTE: The safeguards provided by these safety instructions and by any separate installation instructions are not meant to cover all possible conditions and situations that may occur. It must be understood that common sense, caution and care are factors which can not be built into this product. These factors must be supplied by the person(s) installing, caring for and operating fan.

Warning:

- To reduce the risk of fire, electrical shock, or personal injury, mount this fan to an outlet box marked “Acceptable for Fan Support of 22.7 kg (50 lbs)” or less and use Mounting Screws provided with the outlet box. CAUTION: Install the primary mounting means and use only the hardware provided with the fan.
- To reduce the risk of personal injury take care not to bend the blade brackets when installing the brackets, balancing the blades or cleaning the fan. Be careful not to insert foreign objects in between rotating fan blades.
- To reduce the risk of fire or electrical shock, do not use this fan with any solid-state speed control device.
- The important safeguards and instructions appearing in this manual are not meant to cover all possible conditions and situations that may occur. It must be understood that common sense, caution and careful attention to detail are factors which cannot be built into this product. These factors must be supplied by the person or persons installing, caring for, and operating the unit.

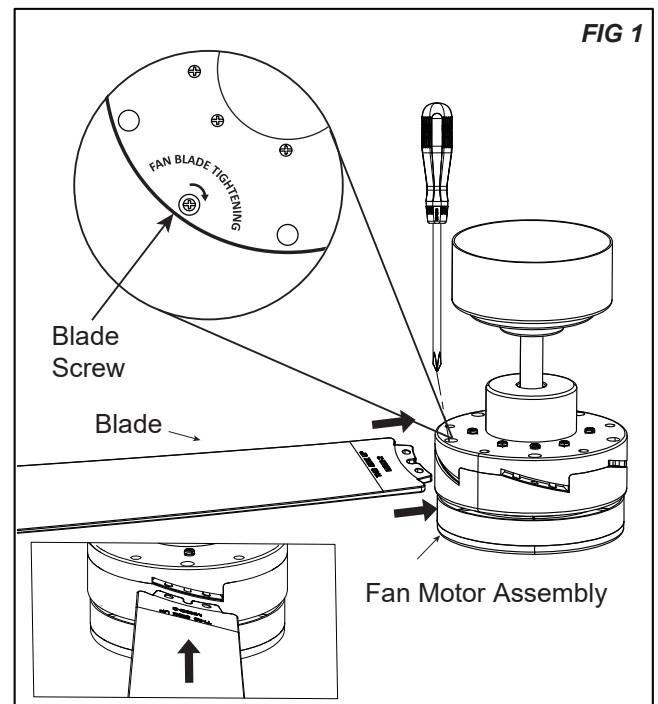
Installation Instructions:

Step 1 Attaching The Fan Blades

Loosen the screws that are pre-installed on the fan motor assembly
Slide a blade through the gap of the fan motor assembly and align holes.
Only one screw is needed to tighten each blade. Repeat for the remaining blades. (see **figure 1**).

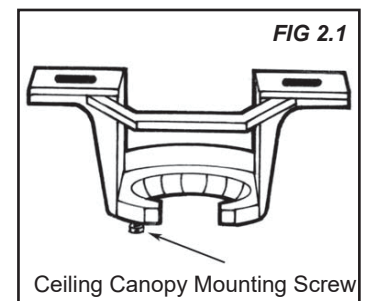


Take care not to bend the blade arms during installation. This will cause your fan to wobble while running.
Please make sure that this screw has been tightened until it stops moving.



Step 2 Install Mounting Bracket

Loosen the two canopy mounting screws on the downside face of the mounting bracket.
Back them out about half way. This will allow for easier installation of the ceiling canopy later (see **figure 2.1**).

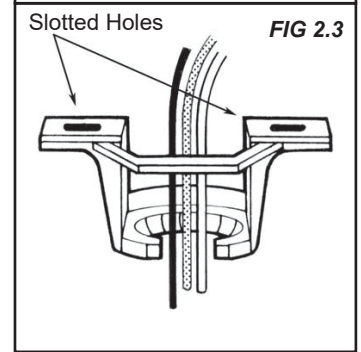
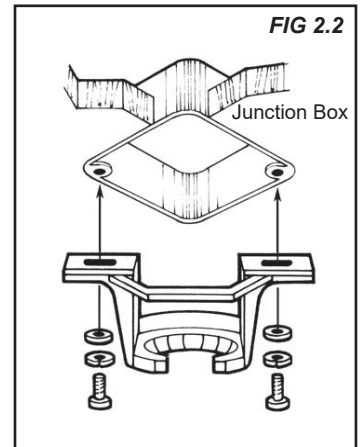


Install the mounting bracket onto the electrical junction box in the ceiling using two machine screws, two washers and two lock washers (see **figure 2.2**).

The mounting bracket has slotted holes to enable it to move sideways for proper alignment. Make sure the mounting bracket is centered over the electrical junction box and that it is securely attached (see **figure 2.3**).

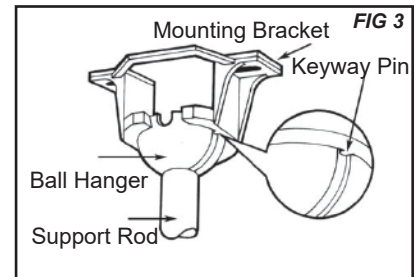
NO MOVEMENT SHOULD OCCUR BETWEEN THE MOUNTING BRACKET AND THE ELECTRICAL JUNCTION BOX.

Pull the electrical wires in the junction box down and through the mounting bracket.

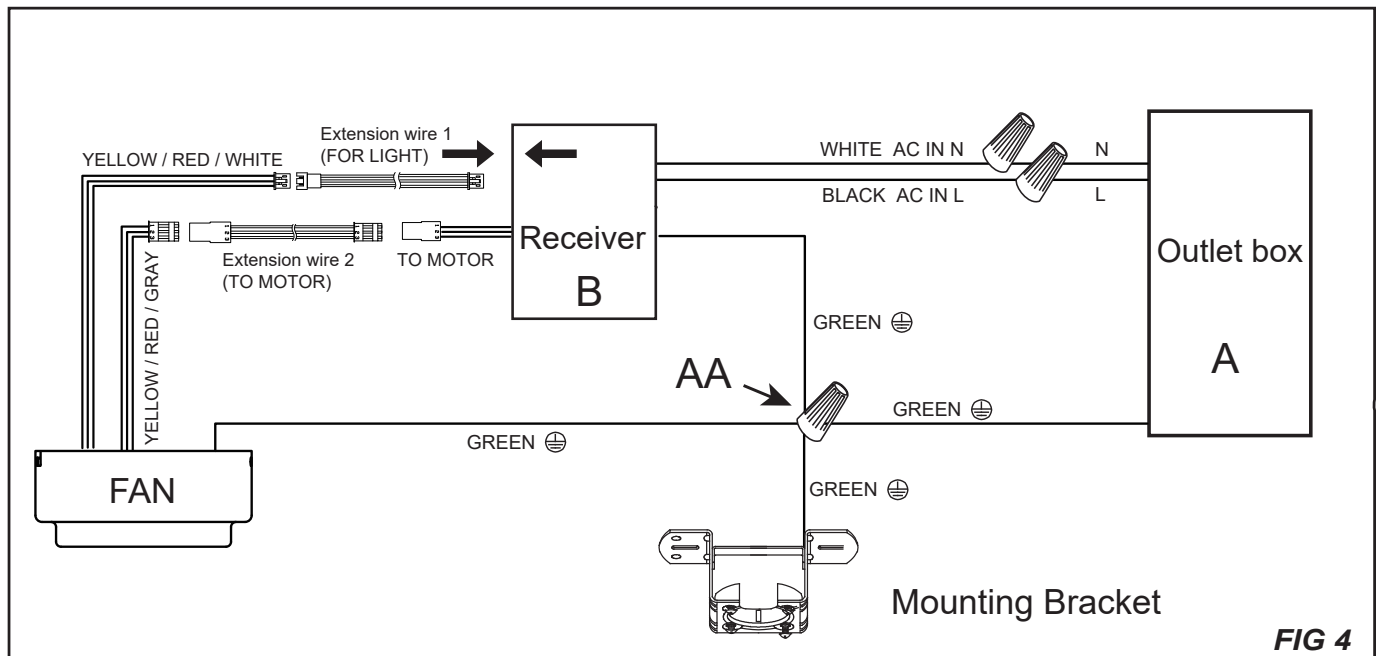


Step 3 Hanging the Fan Body

Notice the half ball on the end of the support rod is grooved down one side (see **figure 3**). This Keyway fits over the small keyway pin on the inside of the mounting bracket and keeps the ceiling fan from spinning on the mounting bracket.



Step 4. Making the electrical connections (see **figure 4**)



WARNING: To avoid possible electrical shock, ensure the electricity is turned off at the circuit breaker or main fuse box before wiring.

WARNING: Check to see that all connections are tight, including the ground, and that no bare wire is visible at the wire nuts, except for the ground wire.

Follow the steps below to connect the fan to your house supply wires. Secure the wire nuts (AA) supplied with your fan by wrapping the connections with electrical tape.

1. Motor to Receiver & Receiver to house supply wires (see figure 4)

- Connect the ground wire (green) from the fan, the ground wire (green) from the receiver (B) and the ground wire (green) from the mounting bracket to the ground wire (green) from the in outlet box(A).

WARNING: Failure to connect ground wires could result in poor fan control functionality.

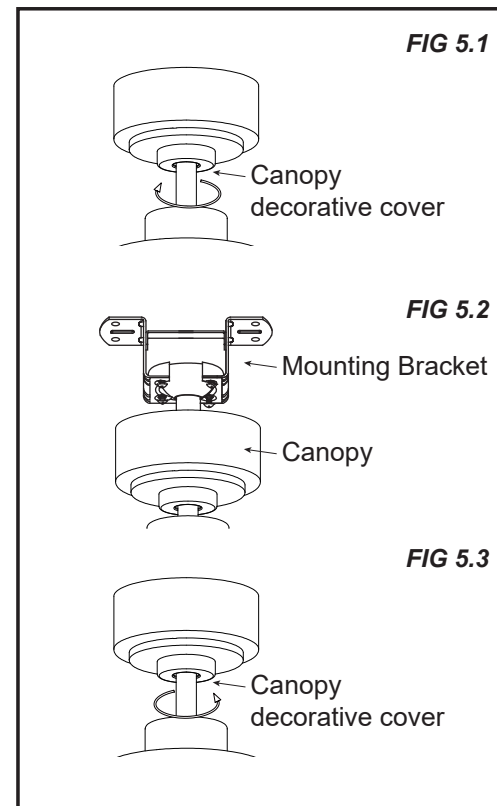
- Connect the Motor connecter(male) from the fan to the connecter(female) marked "TO MOTOR" from the receiver using Extension wire 2 .
- Connect the Light connecter(male) from the fan to the connecter(female) marked "FOR LIGHT" from the receiver using Extension wire 1 .
- Connect the black (hot) wire from the ceiling to the black wire marked "AC in L" from the receiver.
- Connect the white (neutral) wire from the ceiling to the white wire marked "AC in N" from the receiver.

Step 5 Hanging the ceiling fan

Before hanging the ceiling fan onto the mounting Bracket bracket, loosen the canopy decorative cover of the canopy. (see **figure 5.1**)

Loosen the canopy so that the ceiling fan can be hung on the bracket. (see **figure 5.2**)

After hanging it up, tighten the canopy decorative cover. (see **figure 5.3**)



REMOTE CONTROL OPERATING INSTRUCTIONS

1. Fan on/off button () (A).

- Pressing and releasing the button () (A) to turn the fan on and turn the fan off.

2. Light on/off button () (B).

- Pressing and releasing the button () (B) to turn the light on and turn the light off.

3. Fan speed button (1 - 6) (C).


- Pressing and releasing the button (1 - 6) (C) one time will select the speed of the fan.

4. Pressing the button () (D) will change air flow direction. The buttons must be pressed when the fan is in operation. (see *figure AA*)

- (Counterclockwise Direction) A downward air flow creates a cooling effect. This allows you to set your air conditioner on a higher setting without affecting your comfort.

- (Clockwise Direction) An upward air flow moves warm air off the ceiling. This allows you to set your heating unit on a lower setting without affecting your comfort.


5. Light Dimmer - button () (E).


- Pressing and releasing the button () (E) to dim the light.

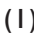
6. Light Dimmer + button () (F).

- Pressing and releasing the button () (F) to brighten the light.

7. Color Temp button (/ /) (G / H / I).

- Pressing the button () (H) will change the color temperature to make the light natural white.

- Pressing the button () (G) will change the color temperature to make the light warmer.

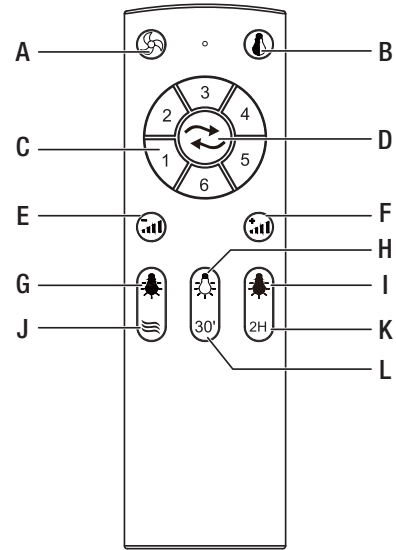
- Pressing the button () (I) will change the color temperature to make the light cooler.

8. Natural Wind button () (J).

- Pressing and release the button () (J) to activate the Comfort Breeze mode.

9. Timer button (30' / 2H) (K / L).

- Pressing the button (30' / 2H) (K / L) will automatically turn the fan off after 30 min or 2 hours.



A. Fan ON/OFF

B. Light ON/OFF

C. Fan Speed 1-6

D. Forward/Reverse

E. Light Dimmer -

F. Light Dimmer +

G. Warm White

H. Natural White

I. Pure White

J. Natural Wind

K. Time 30 Min

L. Time 2 Hour

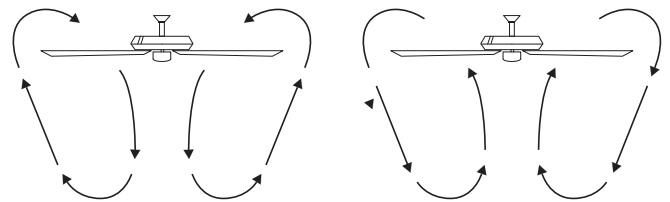



FIG AA

LEARNING PROCESS

- Should you desire to use another remote control unit with your new fan, install one using the steps below:

Learning code matching mode is used between REMOTE CONTROL and receiver. Turn on the supply power within 5 seconds and press the REMOTE CONTROL "FAN ON/OFF" button () for 3 seconds, it can load normally after hearing a long sound "bee", which means learning successfully and it can works normally.

Maintenance:

Your fan requires very little maintenance. Cleaning of the housing should be done with a damp soft cloth (NO CLEANING AGENTS). On the blades, use a duster or dry cloth because any moisture could cause the blades to warp.

Conforms To D.O.E. EPACKT Regulation

Limited Lifetime Warranty Applies To Fan Motor Only

Troubleshooting Guide:

If you have difficulty operating your new ceiling fan it may be the result of incorrect assembly, installation, or wiring. In some cases these installation errors may be mistaken for defects. If you experience any faults please check this troubleshooting guide.

Problem	Suggested Remedy:
1. If fan does not start:	<ol style="list-style-type: none">1. Check main and branch circuit fuses or circuit breakers.2. Check line wire connections to fan and switch wire connections in switch housing. CAUTION: Make sure main power is turned off.3. Make sure forward/reverse switch is firmly in up or down position. Fan will not operate when switch is in the middle.4. Make sure that the wall controller is turned "ON".
2. If fan sounds noisy:	<ol style="list-style-type: none">1. Make sure all screws in motor housing are snug (not over tightened).2. Make sure the screws which attach the fan blade holder to the motor are tight.3. Make sure wire nut connectors in switch housing are not rattling against each other or against the interior wall of the switch housing. CAUTION: Make sure main power is turned off before entering switch housing.4. If using an optional ceiling fan light kit check to be sure the screws securing the glass shade are tight. Check to be sure the light bulb is tight on the socket and not touching the glass shade.5. Some fan motors are sensitive to signals from solid state variable speed controls. DO NOT USE a solid state variable speed control.6. Your ceiling fan's "break in" period is 24 hours of operation. Most noises associated with a new fan will disappear after this period. <p>All blades are weighed and grouped by weight. Natural woods vary in density which could cause the fan to wobble even though all blades are weight-matched. The following procedures should eliminate most of the wobble. Check for wobble after each step.</p> <ol style="list-style-type: none">1. Check that all blades are screwed firmly into blade holders.2. Check that all blade holders are tightened securely to motor.3. Make sure that canopy and mounting bracket are tightened securely to ceiling junction box and junction box is mounted firmly to ceiling joist.4. Most fan wobble problems are caused when blade levels are unequal. Check this level by selecting a point on the ceiling above the tip of one of the blades keeping measure within 1/8 in. Rotate the fan until the next blade is positioned for measurement. Repeat for each blade. If all blade levels are not equal you can adjust blade levels by the following procedure. To adjust a blade tip down insert a washer (not supplied) between the blade and blade holder at the screw closest to the motor. To adjust a blade tip up insert washer (not supplied) between the blade and blade holder at the two screws farthest from the motor.5. If blade wobble is still noticeable interchanging two adjacent (side by side) blades can redistribute the weight and possibly result in smoother operation.
3. If fan wobbles:	<ol style="list-style-type: none">1. Check blue wire from fan to make sure it is connected to hot wire from the house.2. Check for loose or disconnected wires in fan switch housing.3. Check for loose or disconnected wires in light kit.
4. If light does not work:	<ol style="list-style-type: none">4. Check for faulty light bulbs. CAUTION: Make sure main power is turned off before entering switch housing.5. If the fan light shuts off shortly after being switched on it may be due to excessive current demand. Turn off power to the fan and replace the light bulbs with lower wattage bulbs. Turn on power to the fan using the pull chain, wall switch, or remote control (whichever is installed on the particular fan).